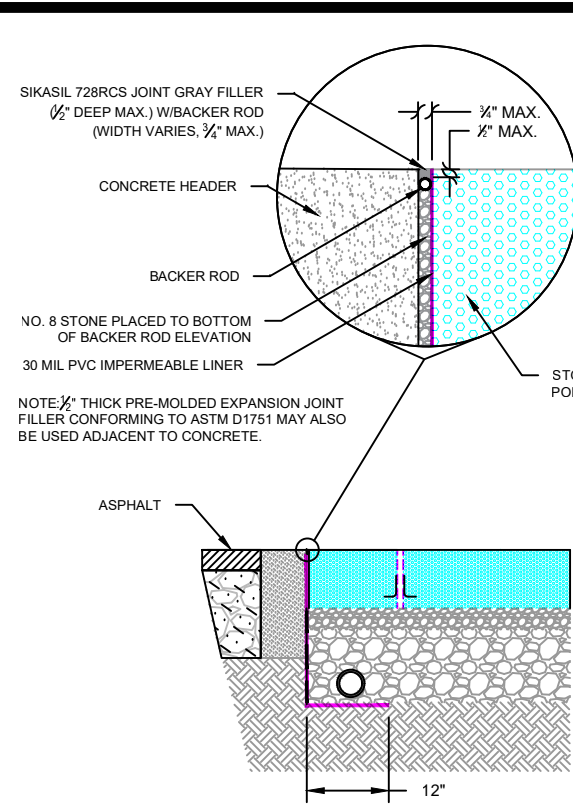
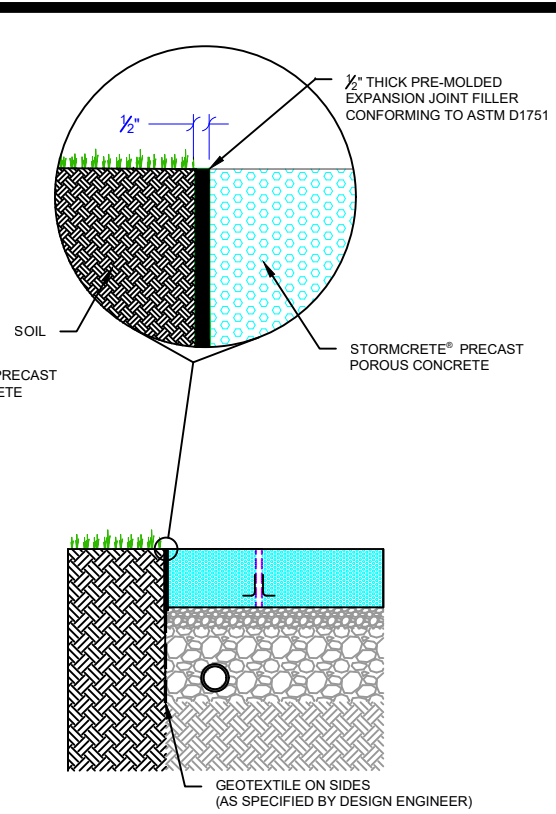


TYPICAL STORMCRETE® SLAB LAYOUT

NOTE: PANELS MAY BE CONFIGURED OR FIELD CUT AS SPECIFIC SITE CONDITIONS WARRANT

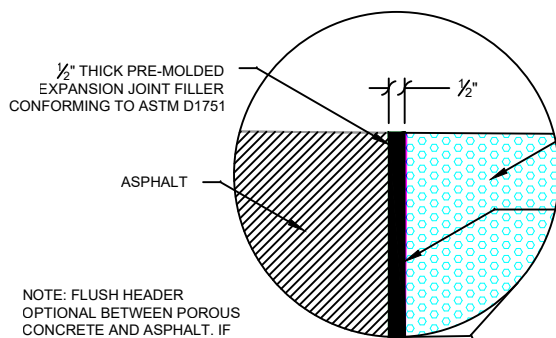


SECTION A-A

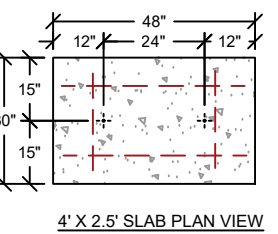
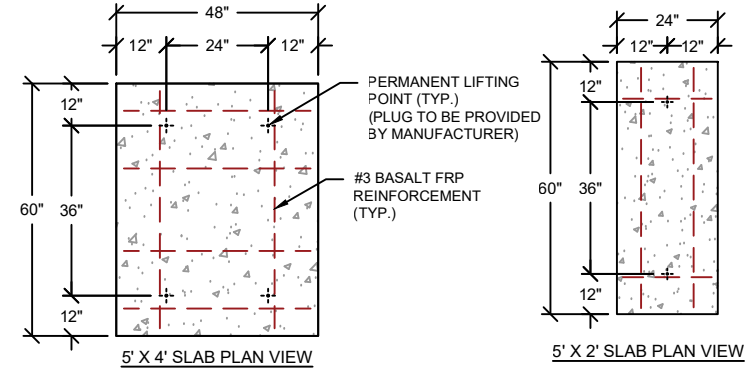
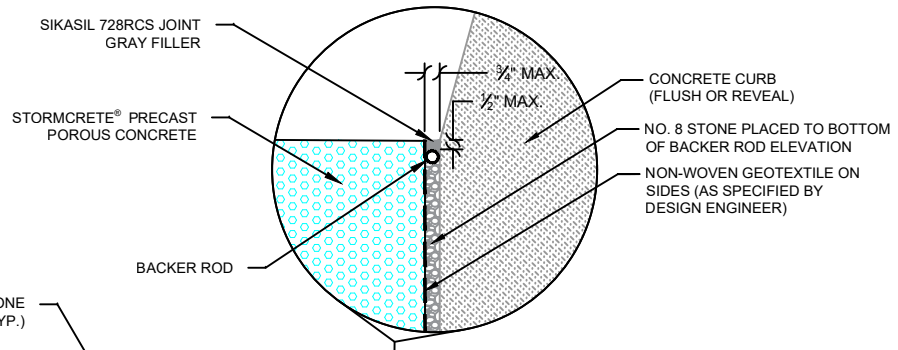


SECTION B-B

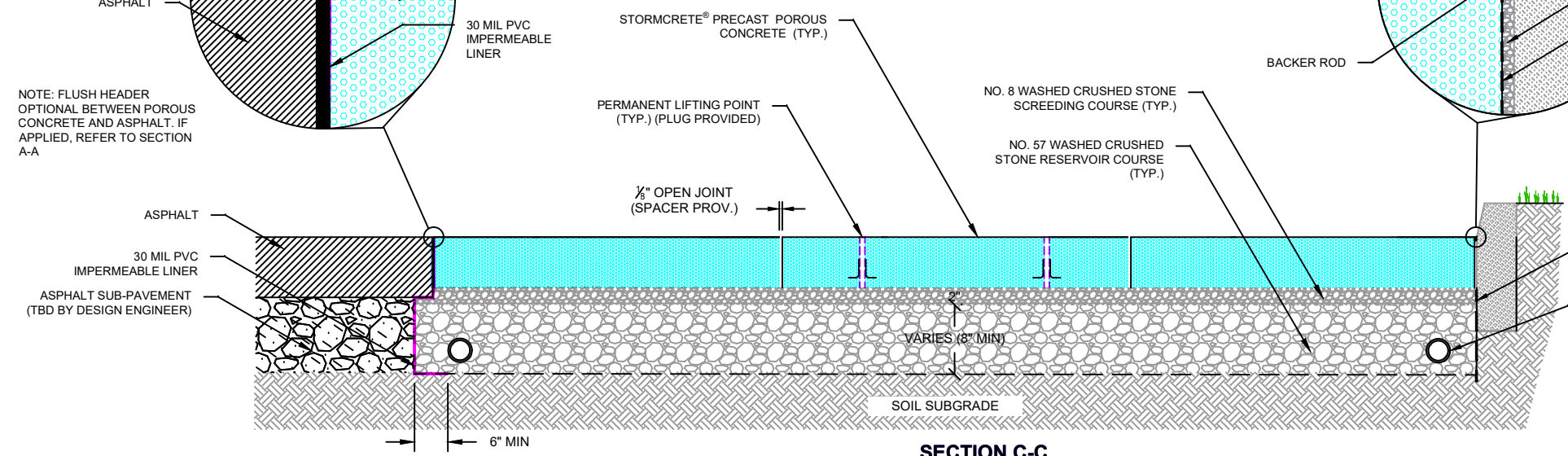
- NOTES:**
1. PRECAST POROUS CONCRETE SHALL BE THE STORMCRETE® SYSTEM AS MANUFACTURED BY POROUS TECHNOLOGIES, LLC WWW.STORM-CRETE.COM (888) 357-1161
 2. STORMCRETE® PRECAST POROUS CONCRETE SHALL HAVE A CONCRETE AVERAGE UNIT WEIGHT OF 124 LB/CF (+/- 4%) AND A VOID RATIO OF 15-25% WHEN TESTED IN CONFORMANCE WITH ASTM D1754/1754M-12 STANDARD TEST METHOD FOR DENSITY AND VOID CONTENT OF HARDENED PERVIOUS CONCRETE.
 3. WASHED CRUSHED STONE RESERVOIR AND SCREEDING COURSE GRADATIONS AND THICKNESS TO BE BASED ON SUBSURFACE CONDITIONS, DEPTH OF FREEZING, TRAFFIC LOADINGS, AND STORM WATER DETENTION/RETENTION REQUIREMENTS AS SPECIFIED BY DESIGN PROFESSIONAL.
 4. ADJACENT MATERIAL SHALL NOT BE ALLOWED TO COME INTO DIRECT CONTACT WITH SIDES OF SLAB. PLACE 1/2" MOLDED BITUMINOUS EXPANSION JOINT MATERIAL IN CONFORMANCE WITH ASTM D1751, STANDARD SPECIFICATION FOR PREFORMED EXPANSION JOINT FILLER FOR CONCRETE PAVING AND STRUCTURAL CONSTRUCTION (NONEXTRUDING AND RESILIENT BITUMINOUS TYPES).
 5. PRECAST POROUS CONCRETE SLABS SHALL BE REINFORCED WITH #3 FIBER REINFORCED PLASTIC (FRP) REINFORCING BARS OR ULTRA-THIN MONOFILAMENT HOMOPOLYMER POLYPROPYLENE FIBERS EQUIVALENT TO MASTERFIBER 100 MANUFACTURED BY BASF CORPORATION., OR APPROVED EQUAL.
 6. 1/2" GALV. COIL THREAD LIFTING INSERT SHALL BE MANUFACTURED BY A.L.P. SUPPLY PART NUMBER C16312134P, OR EQUAL
 7. SLABS SHALL BE CUT WITH A DIAMOND BLADE MASONRY SAW. CUT UNITS SHALL BE NO NARROWER THAN 18" AND CUTTING SHALL OCCUR SO THAT A MINIMUM OF 8" IS MAINTAINED BETWEEN LIFTERS EMBEDDED IN SLABS AND CUT EDGES.
 8. SLAB LAYOUTS SHALL BE PLANNED SO AS TO MINIMIZE OR ELIMINATE LOCATIONS WHERE UTILITY STRUCTURES INTERSECT WITH SLAB JOINTS. WHOLE AND HALF SLABS SHALL BE USED IN COMBINATION WITH CAST IN PLACE COLLARS TO SURROUND UTILITIES.
 9. STORMCRETE® PRECAST POROUS CONCRETE SLABS SHALL HAVE A MINIMUM INFILTRATION RATE OF 100 IN./HR. WHEN TESTED IN ACCORDANCE WITH ASTM C1701 - INFILTRATION RATE OF IN PLACE PERVIOUS CONCRETE.
 10. REFER TO MANUFACTURER'S HANDLING AND INSTALLATION INSTRUCTIONS FOR ADDITIONAL PRODUCT SPECIFIC INFORMATION.



NOTE: FLUSH HEADER OPTIONAL BETWEEN POROUS CONCRETE AND ASPHALT. IF APPLIED, REFER TO SECTION A-A



SLAB DIMENSIONS



SECTION C-C

NOT FOR CONSTRUCTION - FOR INFORMATIONAL PURPOSES ONLY

888.357.1161
www.stormcrete.com
 Porous Technologies, LLC
 140 Thadus Street
 South Portland, ME 04106

STORMCRETE® PATENT PENDING

GENERAL DETAIL

DATE:	11/27/2018
DRAWN BY:	TJC
CHECKED BY:	KJM
SCALE:	NTS

DETAILS AND NOTES

DWG NO. **D1**